

## Practice Test – Grade 5 Science Answer Key



Item Number	Item Type	TEKS	Maximum Number of Points	Correct Answer(s)
1	Multiple Choice	3.3.8.D	1	C
2	Multiple Choice	4.5.9.B	1	B
3	Multiple Choice	1.3.5.C	1	C
4	Multiple Choice	3.4.8.C	1	A
5	Multiple Choice	2.5.6.C	1	C
6	Multiple Choice	4.5.9.A	1	A
7	Multipart	3.4.8.A	2	B, A
8	Multiple Choice	1.5.5.B	1	D
9	Multiple Choice	2.3.6.B	1	C
10	Short Constructed Response	4.5.10.A	2	See Appendix 1.1
11	Multiple Choice	3.4.7.A	1	D
12	Multiple Choice	2.5.6.A	1	B
13	Multiple Choice	4.5.9.B	1	D
14	Multiple Choice	3.5.7.B	1	C
15	Multiple Choice	4.5.9.B	1	B
16	Multiple Select	2.5.6.C	2	B, E
17	Multiple Choice	4.5.9.A	1	C
18	Multiple Choice	2.5.6.D	1	B
19	Multipart	1.5.5.A	2	A, C
20	Multiple Choice	4.5.9.C	1	D
21	Multiple Choice	3.5.7.A	1	B
22	Multiple Choice	2.5.6.A	1	A
23	Multiple Choice	1.5.5.A	1	D
24	Multiple Choice	4.5.10.B	1	B
25	Multiple Choice	3.5.8.C	1	B
26	Hot Spot	2.5.6.B	2	See Appendix 1.2
27	Multiple Select	3.5.8.D	2	A, D
28	Multiple Choice	4.3.10.B	1	B
29	Drag and Drop	3.5.7.A	2	D, A, B, C, E See Appendix 1.3
30	Multiple Choice	4.5.9.D	1	A
31	Multiple Choice	1.5.5.C	1	C
32	Multiple Choice	4.3.9.A	1	C

# Practice Test – Grade 5 Science

## Appendix

### 1.1

A picture and a description of a striped skunk and a giant panda are shown in the chart.

Striped Skunk	Giant Panda
	
<ul style="list-style-type: none"><li>• It lives in forests, grasslands, and areas close to humans across North America, including parks and yards.</li><li>• Its food sources include a variety of plants and animals, such as berries, roots, insects, mice, and lizards.</li><li>• To escape a predator, it can spray a fluid that releases a strong odor and stings the predator's eyes.</li><li>• It usually produces 5 offspring each year. Offspring stay with their mother up to 1 year.</li><li>• There are millions of individuals in the wild, meaning the striped skunk is not likely to become extinct.</li></ul>	<ul style="list-style-type: none"><li>• It lives in the cool, wet high-mountain forests of Asia away from humans. It used to live in forests at lower elevations before the forests were cleared for human use.</li><li>• About 99% of the panda diet is bamboo, a type of woody plant.</li><li>• It has large molar teeth for crushing bamboo.</li><li>• Adults do not have natural predators.</li><li>• It usually produces 1 offspring every 2 years. Offspring stay with their mother up to 3 years.</li><li>• Some estimates show that there are less than 2,000 individuals left in the wild, meaning the panda is vulnerable to becoming extinct.</li></ul>

What are **TWO** likely reasons why the striped skunk has a much greater population in the wild than the giant panda?

Read the descriptions and question carefully. Then enter your answer in the box provided.

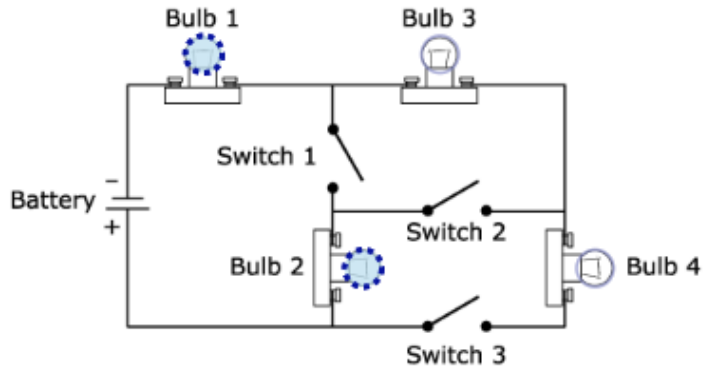
The student responds with any **TWO** of the following answers:

- The skunk eats more kinds of foods than the giant panda.
- The skunk is adapted to eating many different foods, while the panda is adapted (large molars) to eating only bamboo (or fewer kinds of food).
- The skunk can live close to humans, while the giant panda cannot.
- The skunk can live in a greater variety of habitats than the giant panda.
- The skunk produces more offspring than the giant panda.
- The skunk offspring leave their parents sooner than the giant panda offspring.

## 1.2

The circuit has four lightbulbs and three switches. If Switch 1 is closed, which lightbulbs will glow?

Select **TWO** correct answers.



## 1.3

In what order do these steps occur during the formation of sedimentary rock?

Select **ONE** correct answer for each row.

A Erosion

B Deposition

C Compaction

D Weathering

E Cementation

Step 1:  A  B  C  D  E

Step 2:  A  B  C  D  E

Step 3:  A  B  C  D  E

Step 4:  A  B  C  D  E

Step 5:  A  B  C  D  E