

Practice Test – Grade 5 Math Answer Key

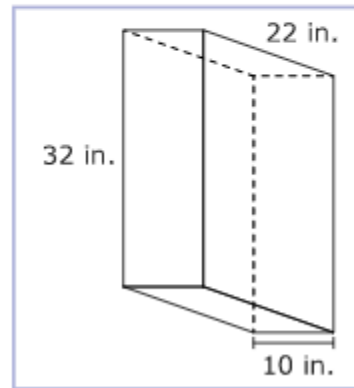
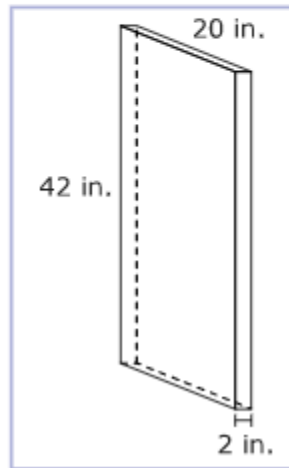
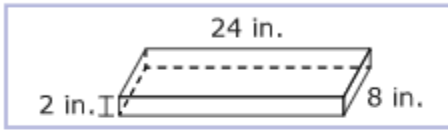
Item Number	Item Type	TEKS	Maximum Number of Points	Correct Answer(s)
1	Multiple Choice	2.3.E	1	A
2	Multiple Select	1.2.B	2	C, E
3	Multiple Choice	2.3.K	1	B
4	Inline Choice	4.9.A	2	A, B
5	Multiple Choice	2.4.D	1	D
6	Hot Spot	3.4.H	2	See Appendix 1.1
7	Multiple Choice	2.3.G	1	D
8	Multiple Choice	4.9.C	1	B
9	Multiple Choice	2.4.B	1	D
10	Multiple Choice	1.4.F	1	C
11	Text Entry	2.3.K	1	10.25
12	Multiple Choice	3.6.A	1	A
13	Multiple Choice	2.3.B	1	D
14	Multiple Choice	1.2.A	1	C
15	Multiple Select	2.4.C	2	B, E
16	Multiple Choice	3.7.A	1	A
17	Multiple Choice	1.4.A	1	C
18	Drag and Drop	2.4.C	2	C, B, F
19	Multiple Choice	3.5.A	1	D
20	Multiple Choice	2.3.L	1	C
21	Multiple Choice	1.2.B	1	B
22	Multiple Choice	2.3.F	1	B
23	Hot Spot	3.8.C	2	See Appendix 1.2
24	Multiple Choice	2.3.G	1	B
25	Multiple Choice	4.10.E	1	D
26	Multiple Choice	1.4.F	1	A
27	Multiple Choice	2.3.E	1	C
28	Inline Choice	3.8.B	2	A, B, A
29	Multiple Choice	2.4.B	1	A
30	Multiple Choice	4.9.C	1	C
31	Drag and Drop	2.3.H	2	See Appendix 1.3
32	Multiple Choice	3.5.A	1	B
33	Multiple Choice	2.3.D	1	C
34	Multiple Choice	3.8.A	1	D

Practice Test – Grade 5 Math Appendix

1.1

Which rectangular prisms have a volume of 64 cubic inches?

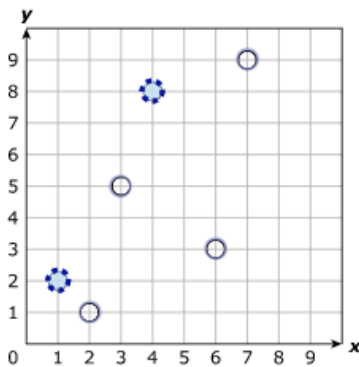
Select **TWO** correct answers.



1.2

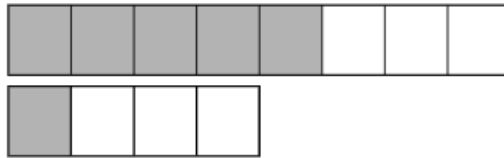
Which points on the coordinate grid represent ordered pairs where the y-coordinate is 2 times the x-coordinate?

Select **TWO** correct answers.



1.3

Beth and Noah shared a box of chocolates. The models are shaded to show the fraction of the box of chocolates each of them ate.



What fraction of the box of chocolates did Beth and Noah eat altogether? What fraction of the box of chocolates is left over?

Move the correct answer to each box. Each answer may be used more than once. Not all answers will be used.

1	2	4	5	7	8	12
---	---	---	---	---	---	----

Fraction Eaten

7
8

Fraction Left Over

1
8