

STAAR Spring 2024 Grade 5 Math Answer Key

Item Position	Item Type	TEKS Assessed	Maximum Number of Points	Correct Answer(s)	Reporting Category	Readiness or Supporting
1	Multiple Choice	5.4.9.C	1	A	4	Readiness
2	Multiple Choice	5.2.3.C	1	D	2	Supporting
3	Multiple Select	5.3.4.H	2	Two prisms in first row See Appendix 1.1	3	Readiness
4	Multiple Choice	5.1.4.F	1	A	1	Readiness
5	Multiple Choice	5.2.4.B	1	C	2	Readiness
6	Multiple Choice	5.1.2.B	1	B	1	Readiness
7	Multiple Choice	5.3.5.A	1	C	3	Readiness
8	Drag and Drop	5.2.3.J	2	$\frac{1}{5}$, 2, $\frac{1}{10}$ See Appendix 1.2	2	Supporting
9	Multiple Choice	5.3.8.C	1	B	3	Readiness
10	Multiple Choice	5.2.3.G	1	A	2	Readiness
11	Multiple Choice	5.4.9.A	1	B	4	Supporting
12	Equation	5.2.3.K	1	$1\frac{5}{8}$ See Appendix 1.3	2	Readiness
13	Multiple Choice	5.1.4.A	1	A	1	Supporting
14	Multiple Choice	5.2.4.C	1	C	2	Readiness
15	Multiple Select	5.1.2.C	2	B, E See Appendix 1.4	1	Supporting
16	Multiple Choice	5.2.3.H	1	D	2	Supporting

17	Multiple Choice	5.2.3.L	1	A	2	Readiness
18	Multiple Choice	5.1.4.F	1	D	1	Readiness
19	Drag and Drop	5.3.8.A	2	y-axis, x-coordinate, origin See Appendix 1.5	3	Supporting
20	Multiple Choice	5.2.3.F	1	B	2	Supporting
21	Inline Choice	5.4.10.B	2	net income, subtracted from her gross income. See Appendix 1.6	4	Supporting
22	Multiple Choice	5.2.3.A	1	C	2	Supporting
23	Multiple Choice	5.2.3.E	1	A	2	Readiness
24	Multiple Choice	5.3.4.H	1	C	3	Readiness
25	Drag and Drop	5.2.3.L	2	\div , 12 See Appendix 1.7	2	Readiness
26	Multiple Choice	5.3.6.A	1	D	3	Supporting
27	Multiple Choice	5.4.9.C	1	C	4	Readiness
28	Drag and Drop	5.2.3.I	2	5, 2, 10 See Appendix 1.8	2	Supporting
29	Multiple Choice	5.3.5.A	1	B	3	Readiness
30	Multiple Choice	5.2.3.G	1	B	2	Readiness
31	Multiple Choice	5.1.2.B	1	D	1	Readiness
32	Drag and Drop	5.2.4.C	2	36, 10, 12, 120	2	Readiness

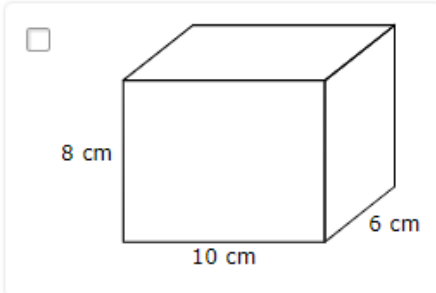
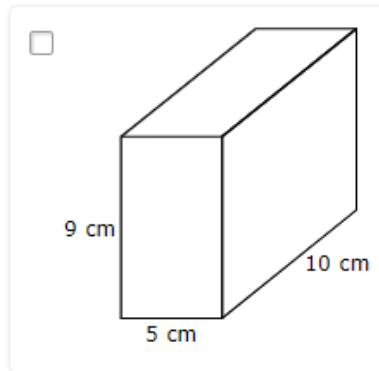
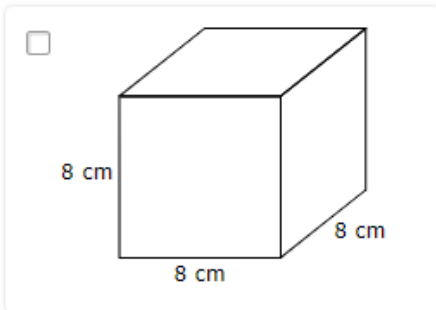
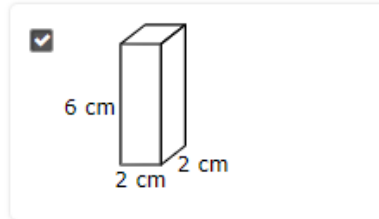
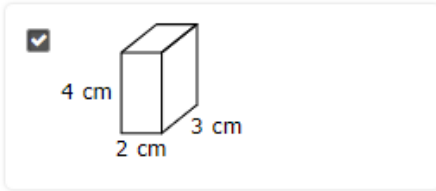
				See Appendix 1.9		
33	Multiple Choice	5.3.8.C	1	C	3	Readiness
34	Multiple Choice	5.2.3.D	1	C	2	Supporting

STAAR Spring 2024 Grade 5 Math Appendix

1.1

Which rectangular prisms have a volume of 24 cubic centimeters?

Select **TWO** correct answers.



1.2

Sarah has $\frac{1}{5}$ of a cake. She shares her fraction of the cake equally with her friend.

The model shown is shaded to represent the situation.



What equation represents the situation?

Move the correct answer to each box. Not all answers will be used.

2 $\frac{1}{5}$ $\frac{1}{2}$ 5 10 $\frac{2}{5}$ $\frac{1}{10}$ 1 $\frac{5}{2}$

$$\frac{1}{5} \div 2 = \frac{1}{10}$$

1.3

The table shows how many miles Easton rode his bike last week.

Distance Biked

Day	Number of Miles
Monday	$\frac{1}{4}$
Wednesday	0.75
Friday	$\frac{5}{8}$

How many total miles did Easton ride his bike last week?

Enter your answer in the space provided.

$1\frac{5}{8}$

← → ↶ ↷ ✖

1	2	3
4	5	6
7	8	9
0	.	$\frac{\square}{\square}$

1.4

Imogen rounds a decimal number to the nearest tenth, then records the rounded number as shown.

124.6

Which numbers could Imogen have rounded to the nearest tenth?

Select **TWO** correct answers.

124.06

124.55

124.056

124.51

124.615

1.5

Match each term to its description.

Move the correct term to each box. Not all terms will be used.

x-coordinate

y-coordinate

x-axis

y-axis

origin

quadrant

Description	Term
The vertical number line on a coordinate grid	y-axis
The first number in an ordered pair of numbers	x-coordinate
The point where the horizontal axis intersects the vertical axis	origin

1.6

Rosa's salary is \$450 each week. Her take-home pay for the week is \$385.

Complete the statement to describe Rosa's take-home pay.

Choose the correct answer from each drop-down menu to complete the sentence.

Rosa's take-home pay is her because taxes and deductions were

1.7

Trisha runs around a track. The distance of one lap around the track is $\frac{1}{4}$ mile. Trisha runs a total of 3 miles.

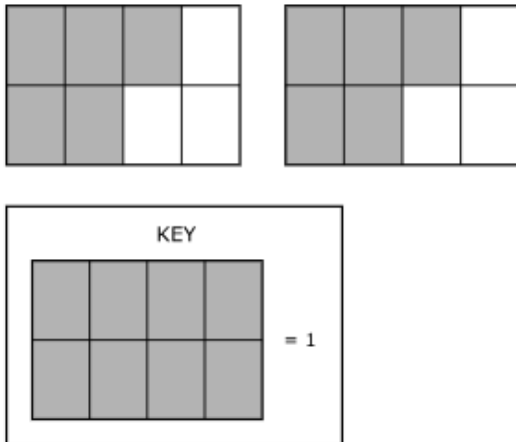
What equation can be used to show the number of laps Trisha runs?

Move the correct answer to each box. Not all answers will be used.

$$3 \div \frac{1}{4} = 12$$

1.8

A model is shaded to represent an expression.



Create an equation that represents the expression and its product.

Move the correct answer to each box. Not all answers will be used.

2 3 5 6 10

$$\frac{5}{8} \times 2 = \frac{10}{8}$$

1.9

The values in the table represent the equation $y = 6x$. Complete the table to represent the relationship between the values of x and y .

Move the correct answer to each box in the table. Not all answers will be used.

1 10 12 36 42 66 120

x	y
6	36
10	60
12	72
20	120